

star

hydraulics ltd

SERVO TECHNOLOGY
AND RESEARCH

Model 457 Servovalve



- Nominal flow rate up to 80 l/min @ 70 bar
- Economy range
- Internal pilot supply
- Slim body design

k

econ
FLUID POWER

上海益控精密机械有限公司

Shanghai Econ Precision Machinery Co.,Ltd.

上海市浦东新区东方路738号裕安大厦9楼916室, 200122

Tel: 021-58205117 Fax: 021-58315902

Web: www.econpm.cn E-mail: info@econpm.cn

Nominal flow ratings	60, 80 l/min at 70 bar p
Hysteresis	< 4% without dither
Threshold	< 1% without dither
Null bias	< 2%
Null shift	< 2%
with 40°C temp change	< 2%
with 70 bar supply pressure change	< 2%
with return pressure 0 to 35 bar	< 2%
Pressure gain	< 1% rated input signal for 60% of supply pressure
Seal materials available	FPM, NBR, EPDM
Operating temperature range	-30 °C to 130 °C
Proof pressure	
at pressure port	150% max supply pressure
at return port	100% max supply pressure
Burst pressure	
return port open	250% max supply pressure
External leakage	zero
Degree of protection	IP 65 (BS EN 60529 : 1992)
Weight	0.8 kg
Mounting position	Any, fixed or movable

Supply filtration	
minimum	≥ 10 75 (10 micron abs)
recommended	≥ 5 = 200 (5 micron abs)
Fluid cleanliness level	
minimum	ISO 4406 - 16/13 NAS 1638 - class 7
recommended	ISO 4406 - 13/10 NAS 1638 - class 4
Supply pressure	
min. to effect spool movement	3.5 bar
minimum recommended	15 bar
maximum continuous	210 bar (FPM) 315 bar (NBR)
Viscosity	VG 10 to 100 ISO 3448
Fluid type	Petroleum based mineral oils For operation with other media contact factory

Calculating output flow

The output flow for a given pressure drop can be calculated using the following:

$$q = q_N \sqrt{\frac{p_N}{p_V}}$$

Where:

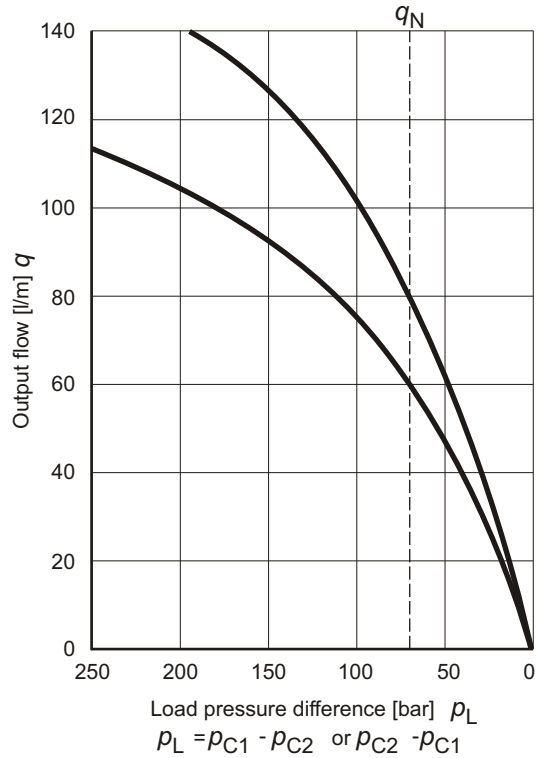
q = Output flow [l/min]

q_N = Rated flow [l/min]

p_N = Valve pressure drop [bar]

p_V = Rated valve pressure drop [bar]

Output flow versus load pressure difference

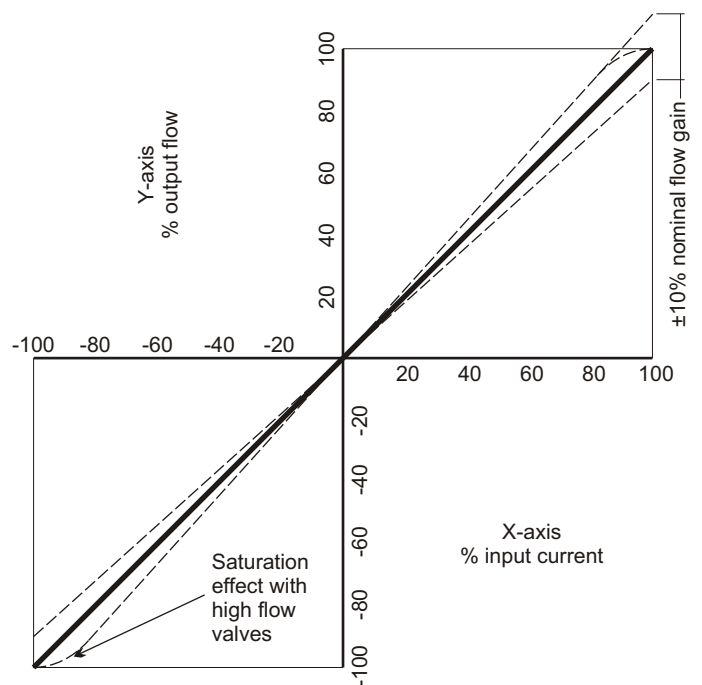


Internal leakage

This comprises of both pilot stage flow (tare leakage) and the second stage null leakage, typical values for this size of valve would be:

Rated flow	Internal leakage at 140 bar
60 l/min	< 2 l/min
80 l/min	< 2 l/min

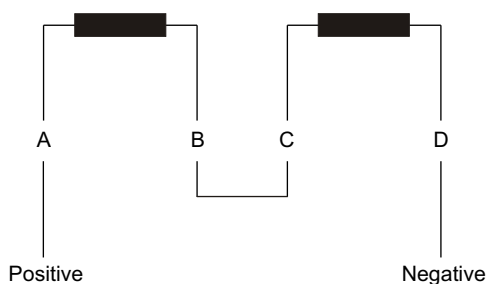
Output flow versus input signal at constant valve pressure drop



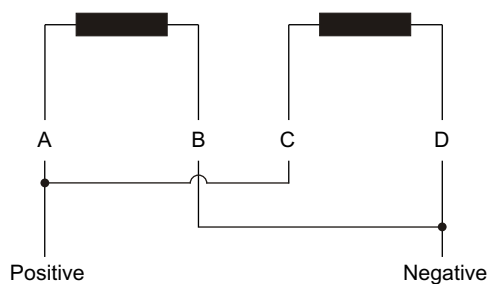
The flow tolerance for standard servovalves is $\pm 10\%$ of the nominal rated flow at $\pm 100\%$ input signal.

The rated flow is quoted at 70 bar p and 100% rated input signal.

Coil schematics



Series connection



Parallel connection

Output flow polarity

Flow in the direction of P→C2, C1→R will occur with the pilot stage coils configured as above.

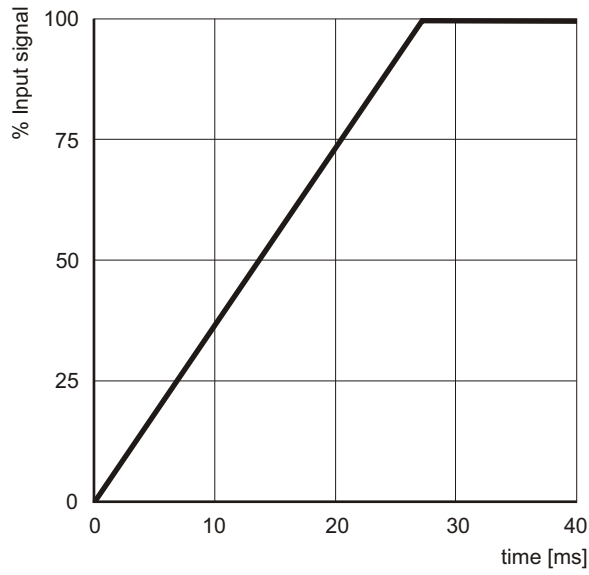
Coil options

Coil specification		Series connection		Parallel connection	
Rated signal [mA]	Resistance per coil [Ω]	Input current [mA]	Effective resistance [Ω]	Input current [mA]	Effective resistance [Ω]
10	1000	5	2000	10	500
15	200	7.5	400	15	100
20	1200	10	2400	20	600
30	300	15	600	30	150
30	800	15	1600	30	400
40	80	20	160	40	40
60	40	30	80	60	20
80	22	40	44	80	11
100	27	50	54	100	13.5
200	22	100	44	200	11

Electrical connection

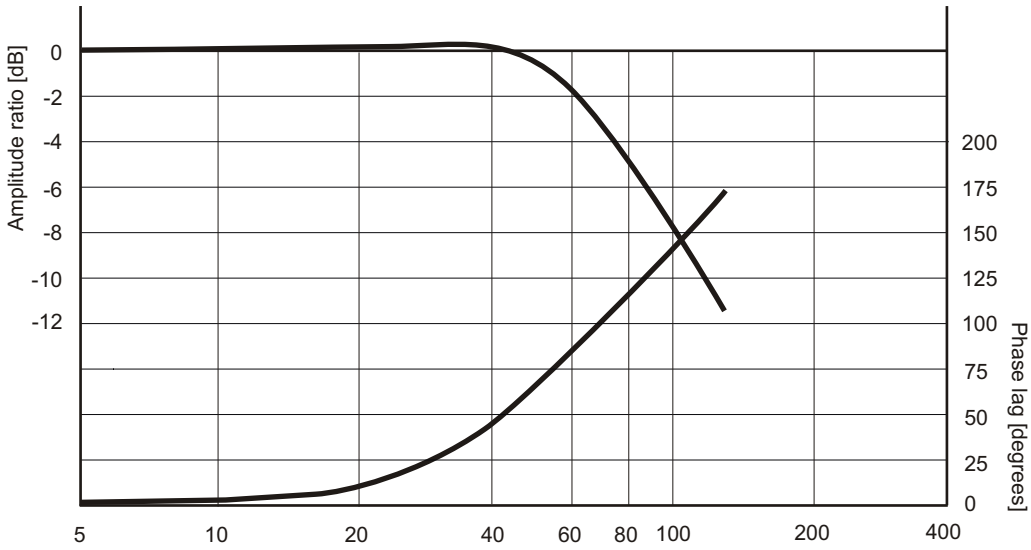
Standard connector is MS3102E-14S-2P (MIL-C-5015). Please contact factory for more options.

Transient Response

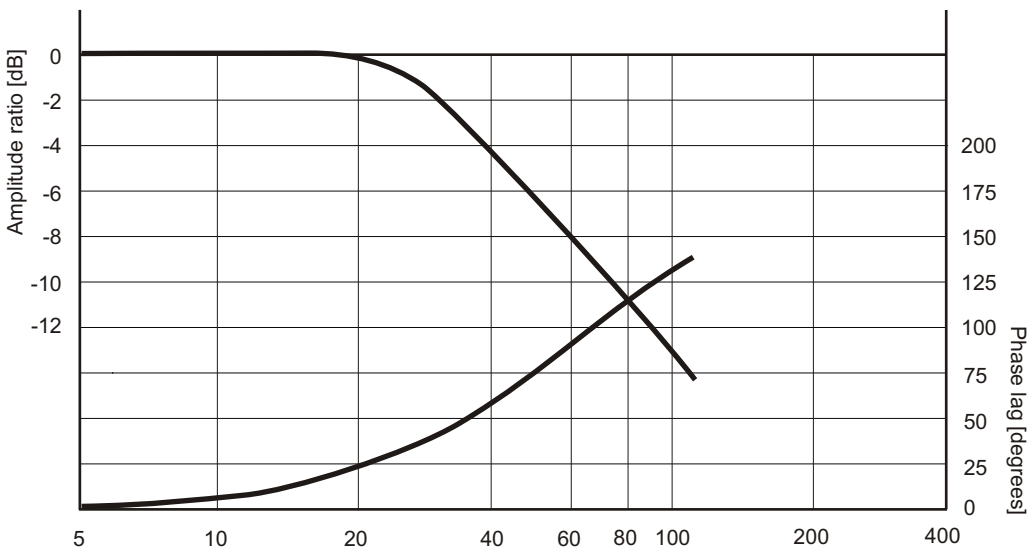


Rated flow = 80 l/min
Supply pressure = 210 bar

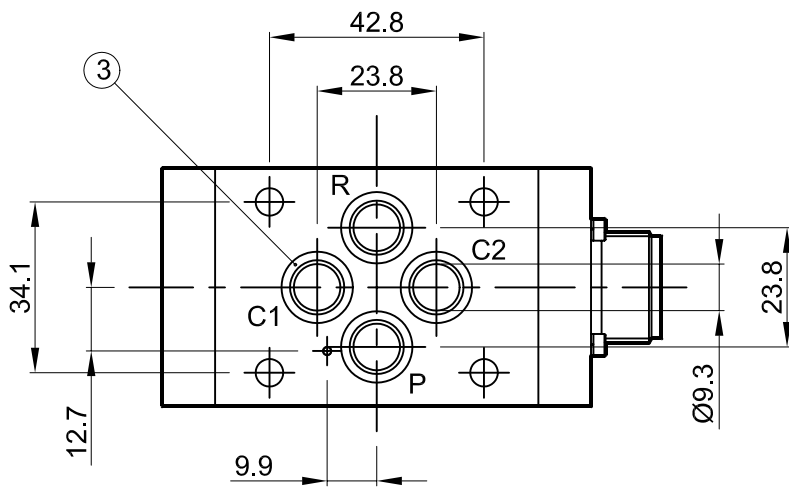
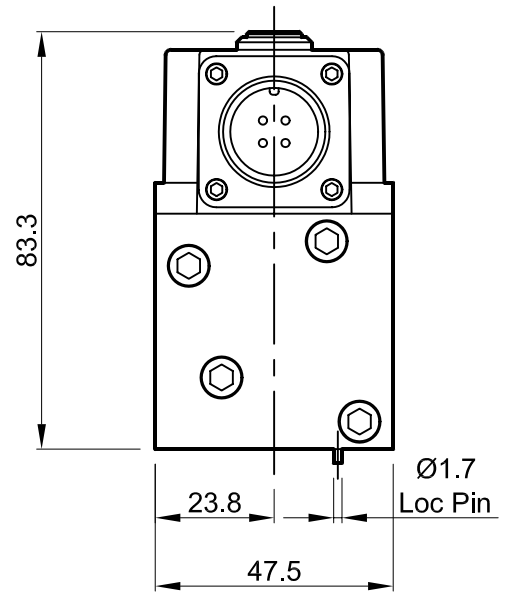
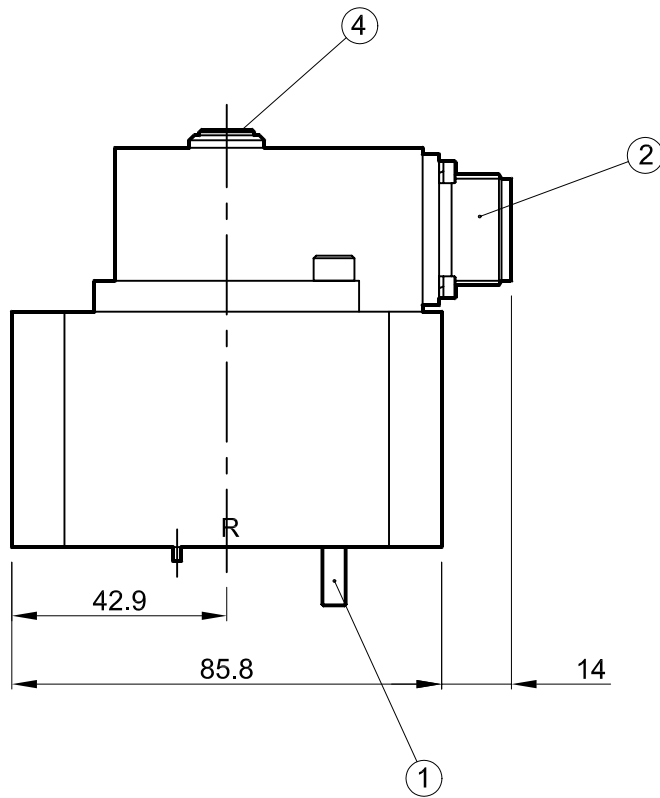
Frequency Response



Input signal = 25%
Rated flow = 80 l/min
Supply pressure = 210 bar



Input signal = 100%
Rated flow = 80 l/min
Supply pressure = 210 bar



1. Suggested mounting bolts M5 x 65 long high tensile steel socket head cap screws.

2. 4-way electrical connector mates with MS3106-14S-2S or equivalent. Is available at 180° to position shown (advise desired position at time of order).

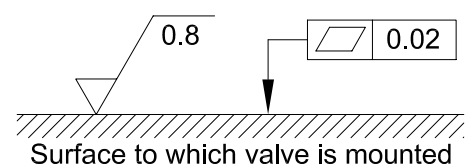
3. Base O-Rings: 10.82 I/D x 1.78 section (4 pcs).

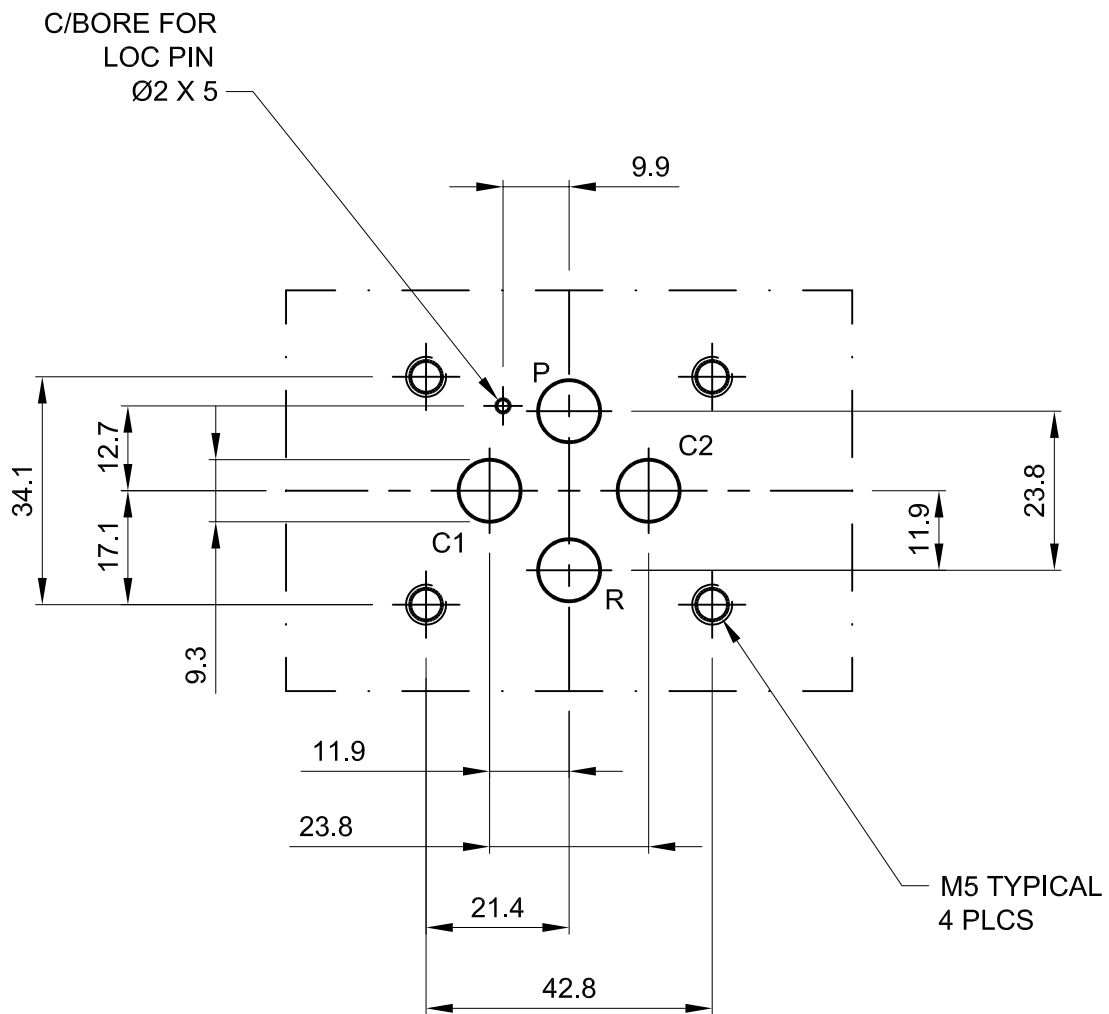
4. Null adjust requires 2.5 hexagon key. Flow out of C2 will increase with clockwise rotation of key.

Installation Details Model 457

Dimensions in millimeters
3rd angle projection

Filename
ID457-1Q03-En





Manifold Dimensions Model 457

Dimensions in millimeters
3rd angle projection

Filename
MD457-1Q03-En

