

# DIN Rail Mounting Servo-Amplifier Module

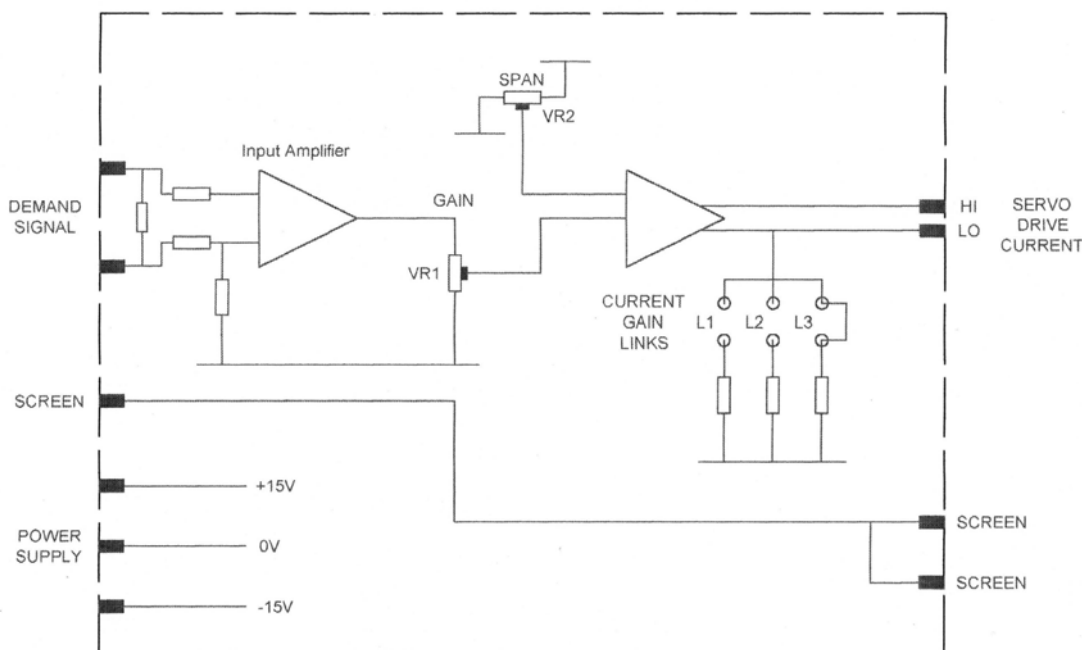
<b>Part Number</b>	STE3050
<b>Description</b>	This DIN rail mounting servoamplifier module is intended for use in OEM applications where control circuitry already exists but a current amplifier is required to provide the final interface between controller and servovalve. Its compact design and ease of connection enables several of these modules to be mounted together where space is at a premium.
<b>Overall Size</b>	24mm wide x 100mm high (inc. terminal connectors) x 105mm deep (distance from DIN rail)
<b>Connector</b>	2 x 6 way removable terminal blocks.
<b>Linear Gain</b>	Link selectable and variable 1 – 1000 mA / V
<b>Input</b>	+/-10mA or +/-20mA (Specify when ordering)
<b>Output</b>	Up to 150 mA drive, overload + short circuit protection
<b>Power Supply</b>	+/-15VDC @ 50mA plus servovalve current
<b>Environment</b>	0 – 50 deg.C 20 – 80% RH operating
<b>Compatability</b>	TS32 or TS35 DIN Rail

## Features Include

User Selectable Output  
Compact Design  
Up to 150mA Current Drive  
DIN Rail Mounting  
Selectable Current Gain

Overload and Short Circuit  
Output Protection

Screw Terminal Connection  
Full Technical Support



STE3050  
Front View  
(approx. full size)

