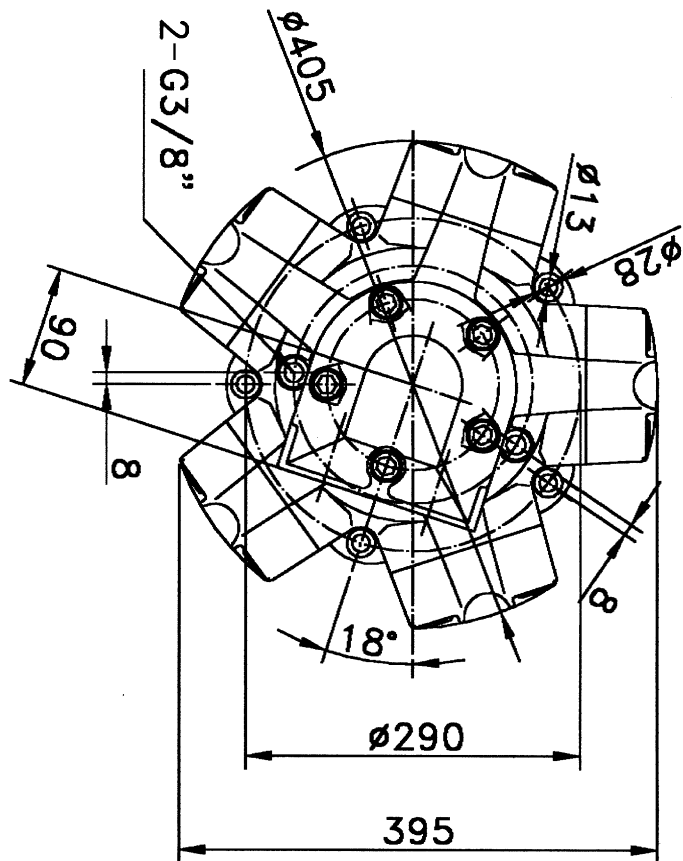
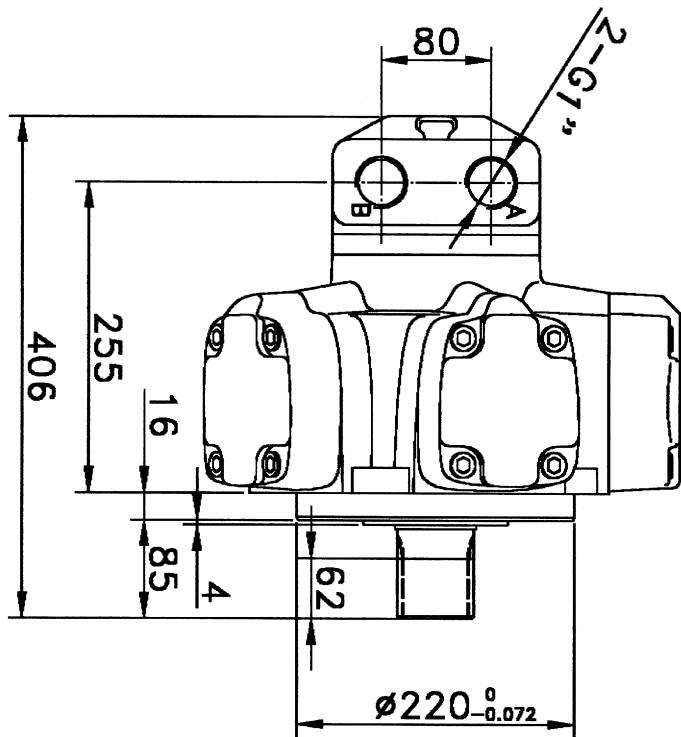
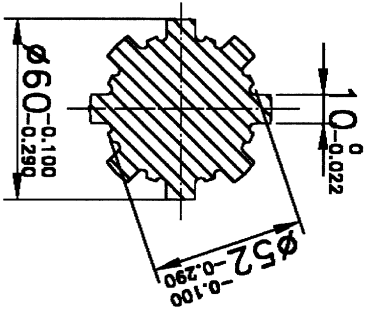


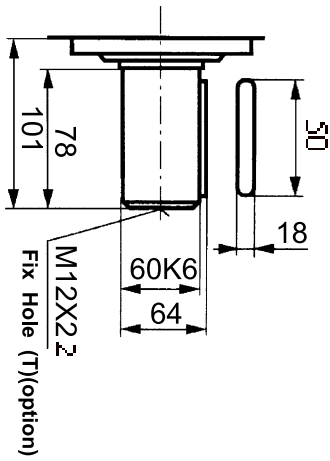
MRC Series



Spined Shaft (N)



Parallel Shaft (P)



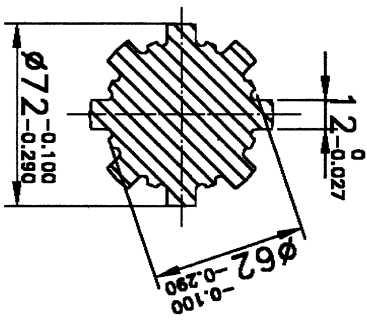
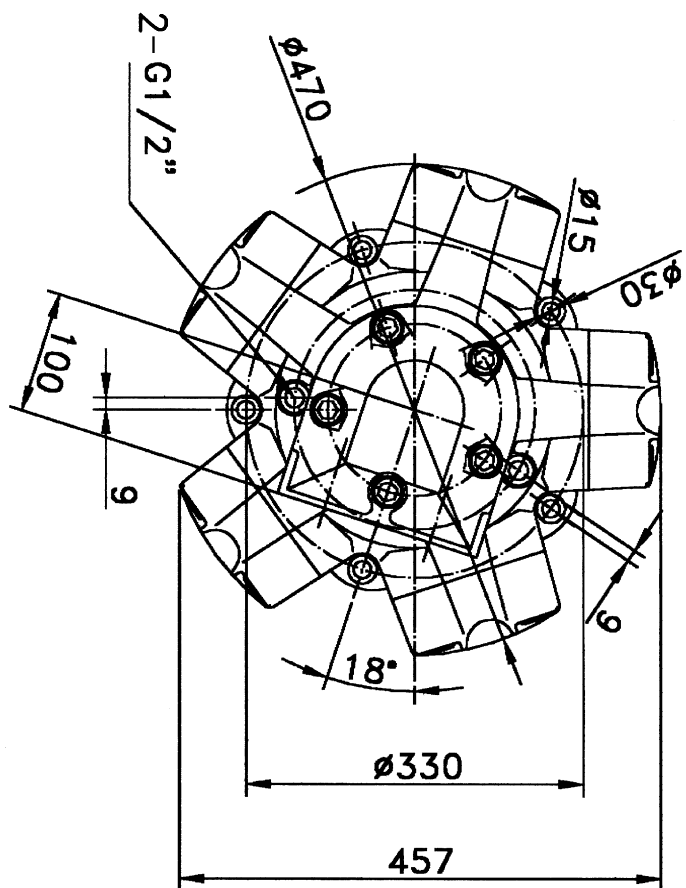
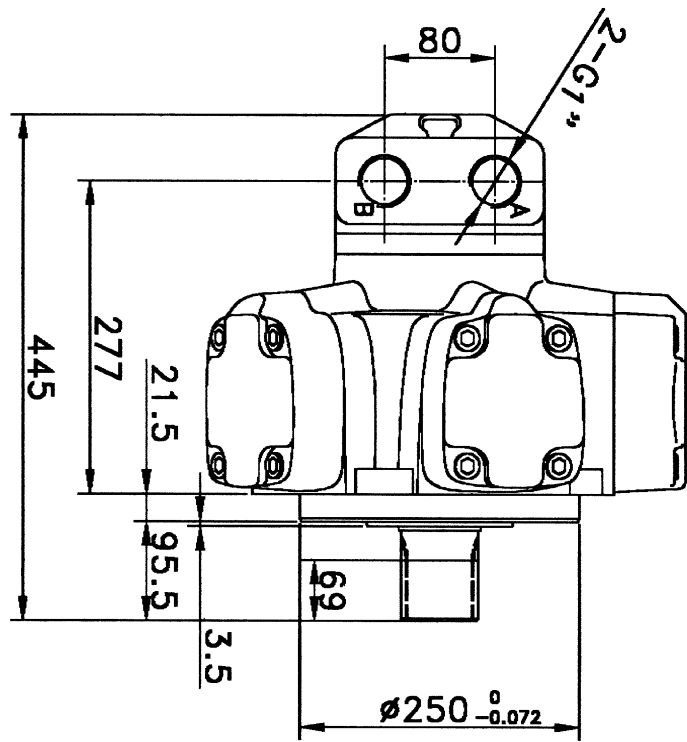
Overall Dimension

MRC 500 MRC 600
MRC 700 MRC 800

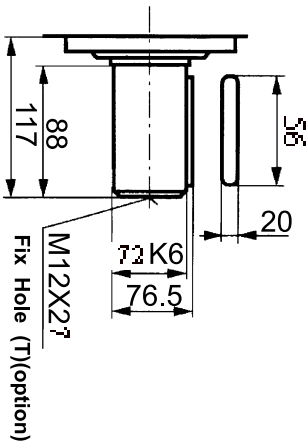
Shanghai Econ Precision
Machinery Co., Ltd

Web: www.econrpm.cn
Email: info@econrpm.cn

MRC Series



Splined Shaft (N)



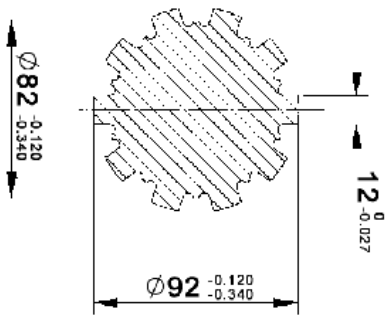
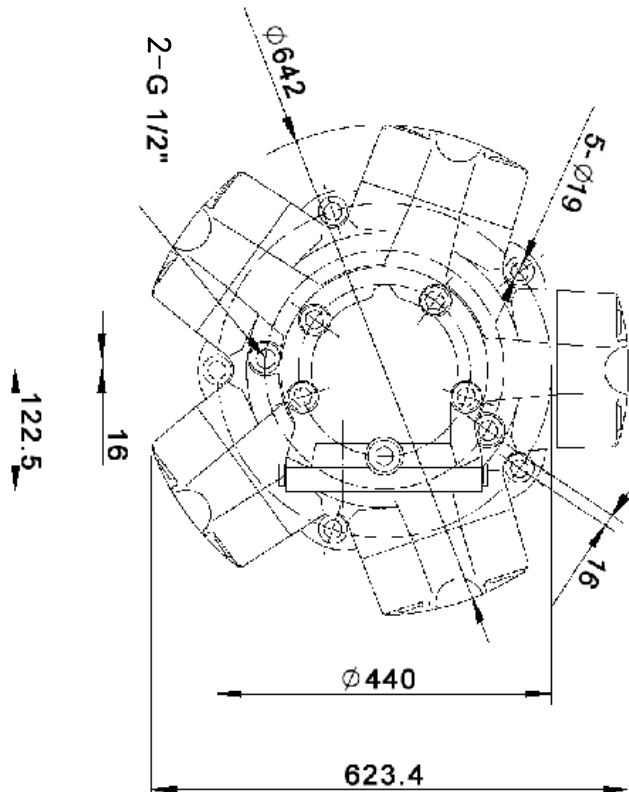
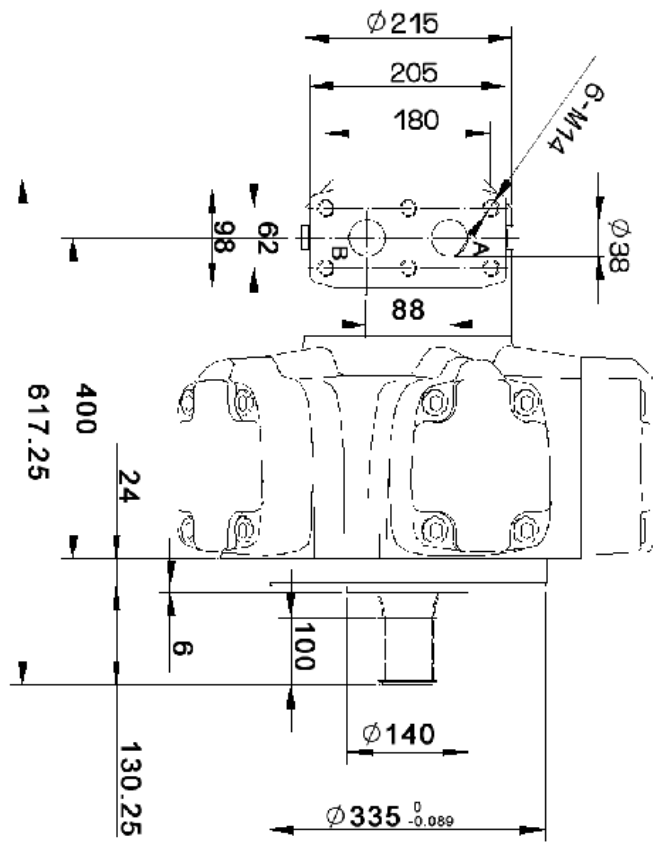
Parallel Shaft (P)

Overall Dimension

MRC 1000 MRC 1100
MRC 1200 MRC 1400L

Shanghai Econ Precision
Machinery Co., Ltd
Web: www.econrpm.cn
Email: info@econrpm.cn

MRC Series



Splined Shaft (N)

Overall Dimension

MRC 2400 MRC 2800
MRC 3100

Shanghai Econ Precision
Machinery Co., Ltd

Web: www.econpm.cn

Email: info@econpm.cn