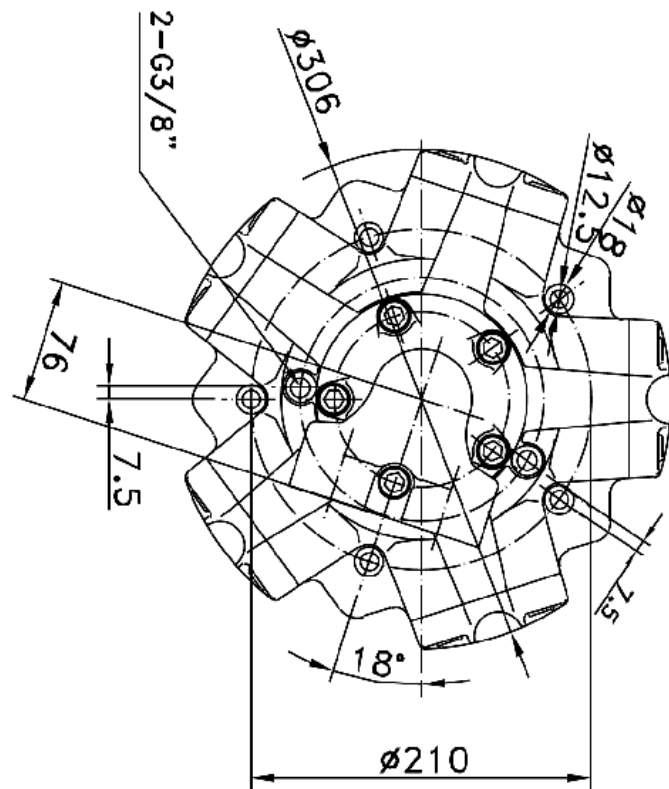
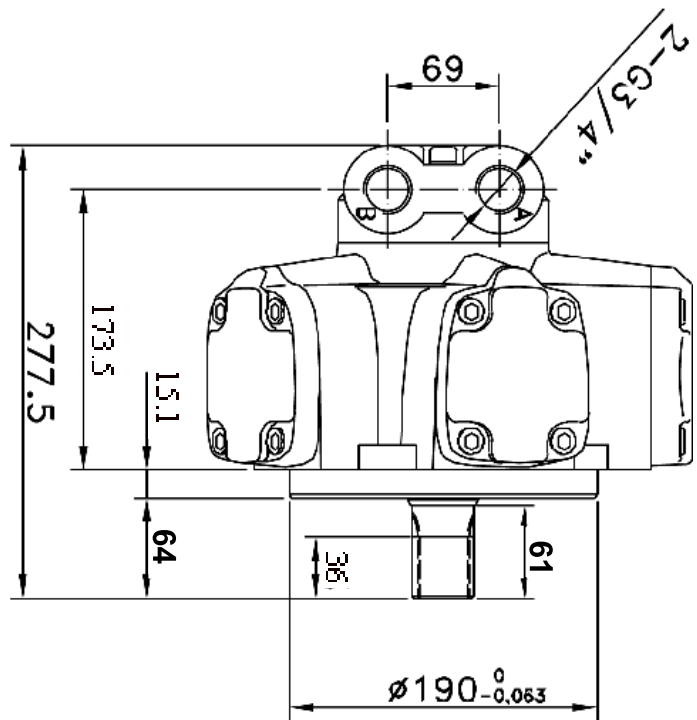
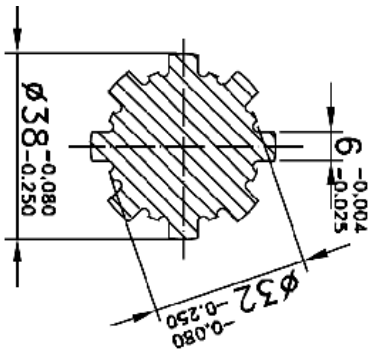


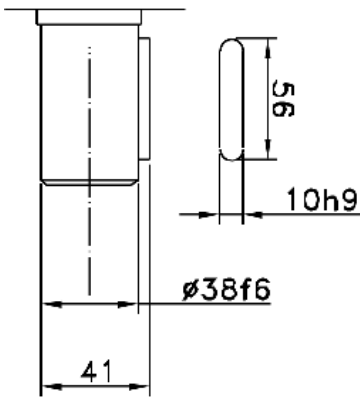
MRCN Series



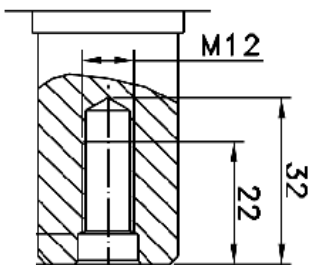
Splined Shaft (N)



Parallel Shaft (P)



Fix Hole (T) (Option)



Overall Dimension

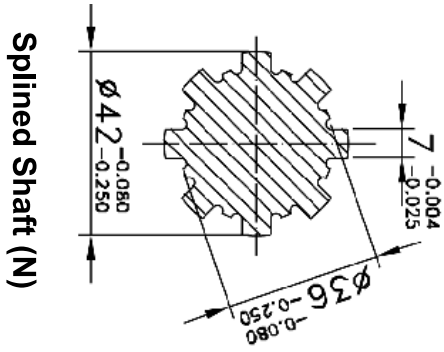
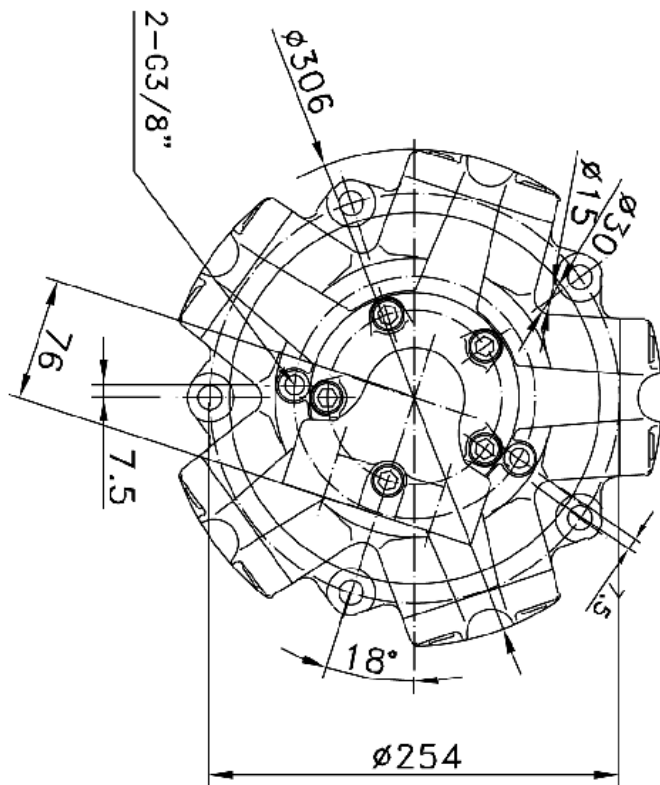
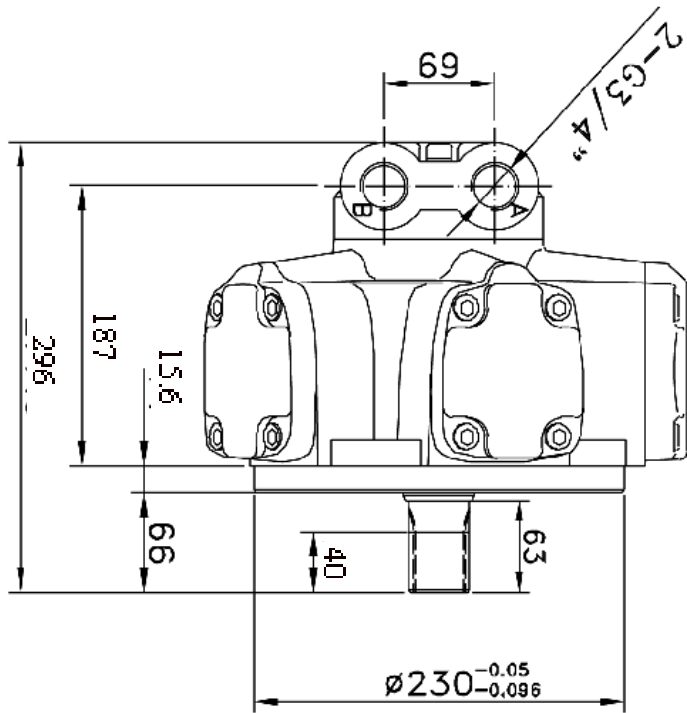
MRCN
250, 300
350, 400L

Shanghai Econ Precision
Machinery Co., Ltd

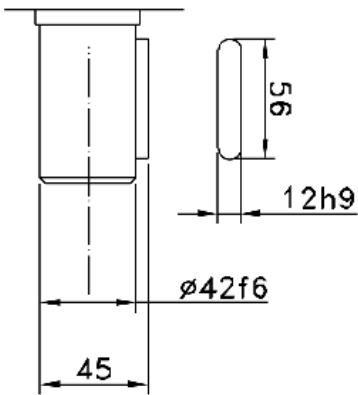
Web: www.econpm.cn

Email: info@econpm.cn

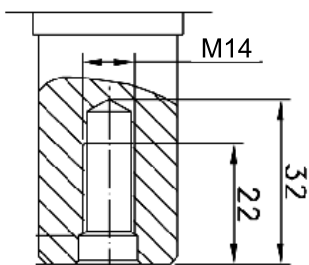
MRCN Series



Splined Shaft (N)



Parallel Shaft (P)



Fix Hole(T) (Option)

Overall Dimension

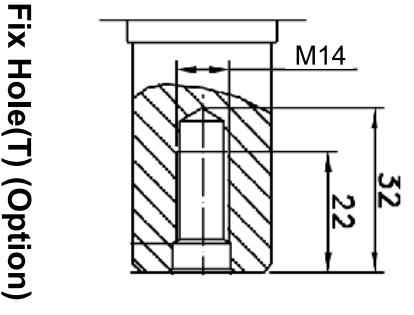
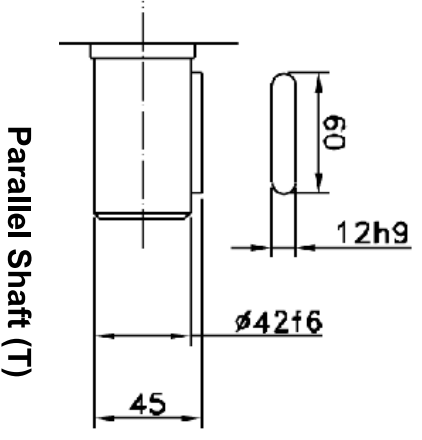
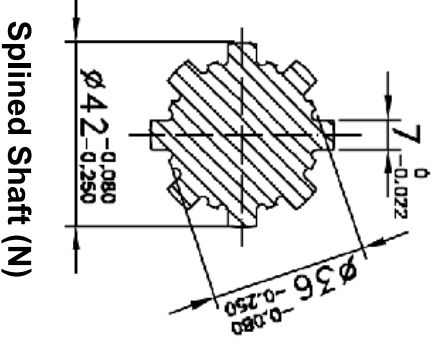
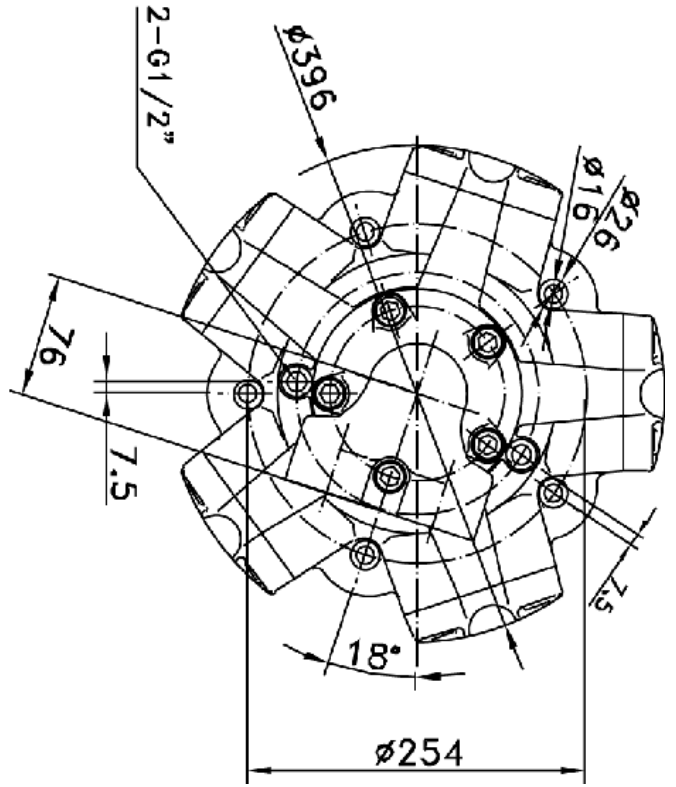
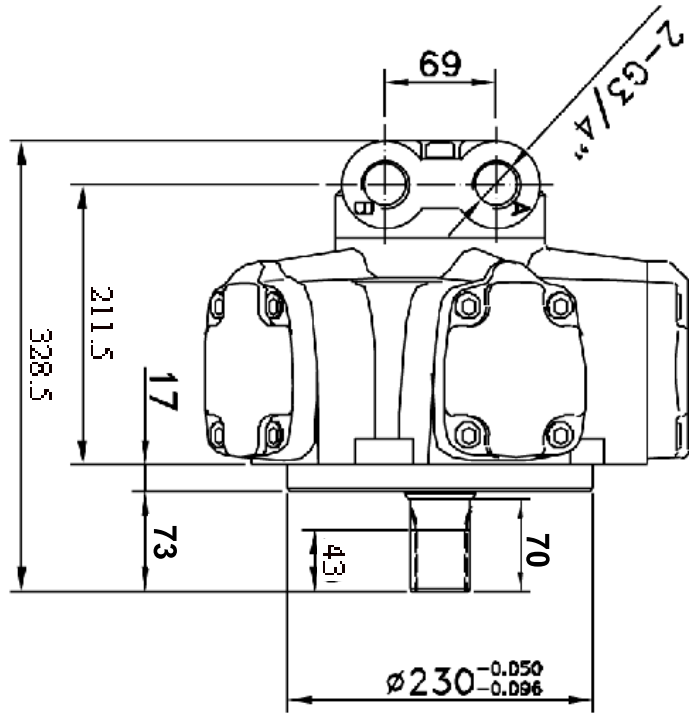
MRCN400

Shanghai Econ Precision
Machinery Co., Ltd

Web: www.econpm.cn

Email: info@econpm.cn

MRCN Series



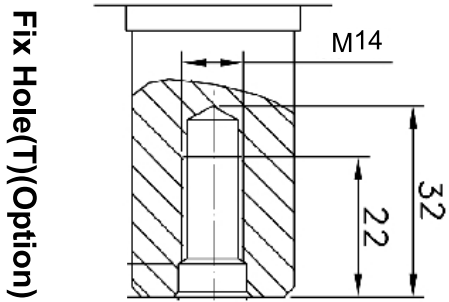
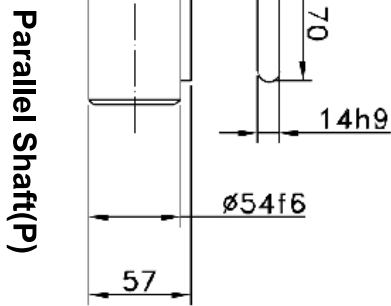
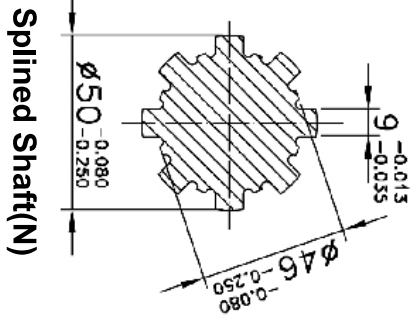
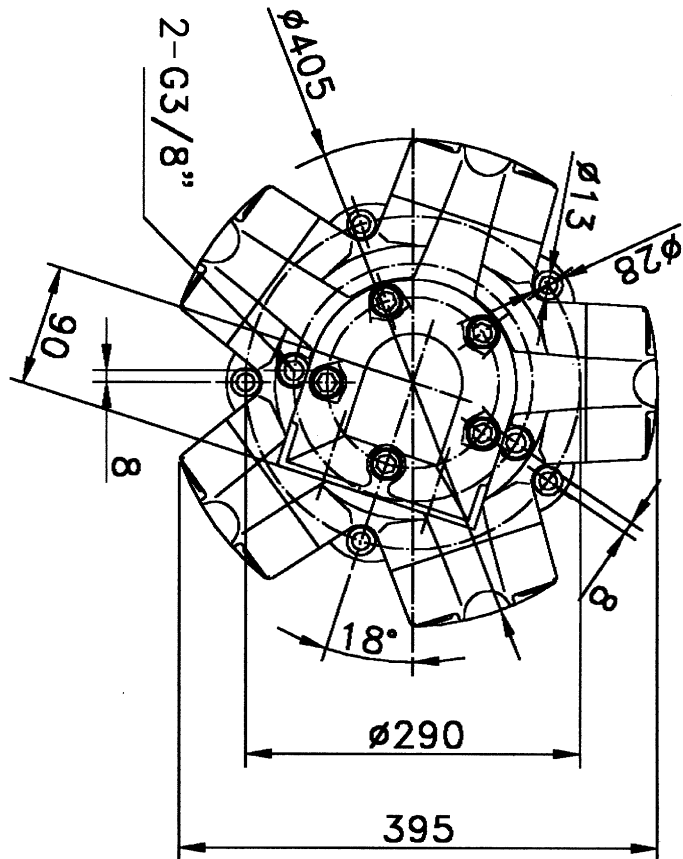
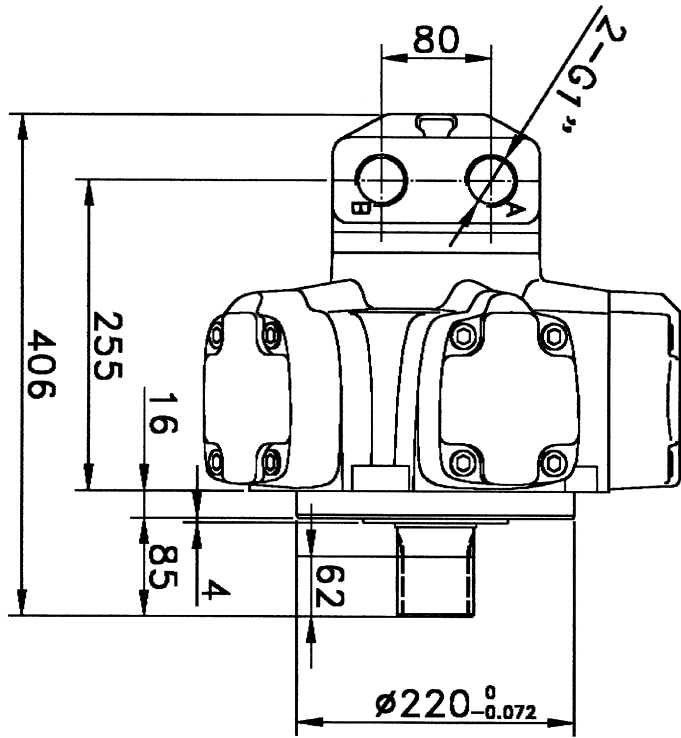
Overall Dimension

MRCN 450, 500
600, 700

Shanghai Econ Precision Machinery Co., Ltd

Web: www.econpjm.cn
Email: info@econpjm.cn

MRCN Series



Overall Dimension

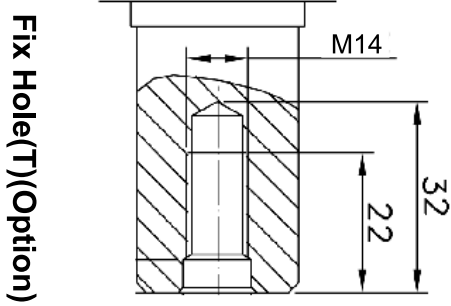
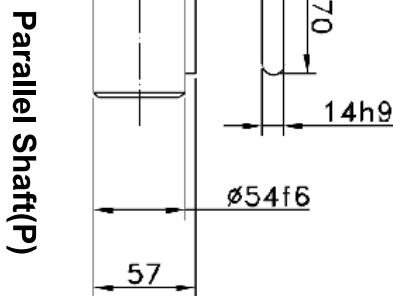
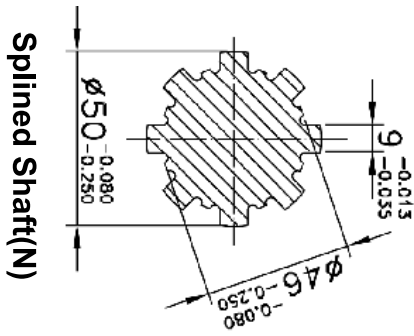
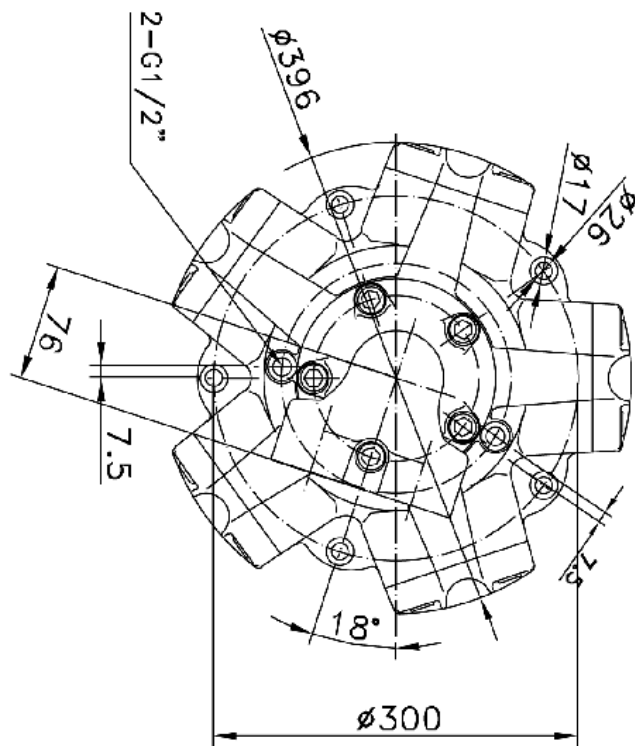
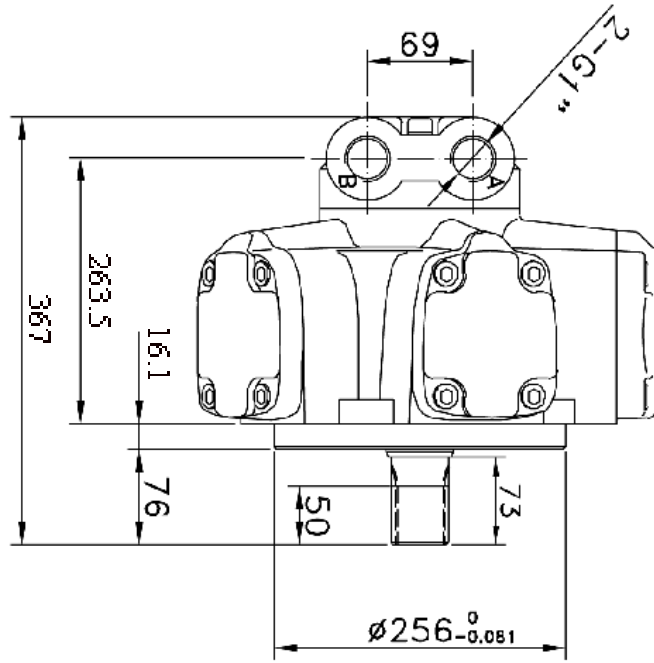
MRCN800i

Shanghai Econ Precision
Machinery Co., Ltd

Web: www.econrpm.cn

Email: info@econrpm.cn

MRCN Series



Overall Dimension

**MRCN 800, 1000
1100, 1200**

Shanghai Econ Precision
Machinery Co., Ltd

Web: www.econpm.cn

Email: info@econpm.cn